

RoHS Compliant Product
A suffix of "-C" specifies halogen & lead-free

FEATURES

- Low Forward Voltage Drop
- Fast Switching

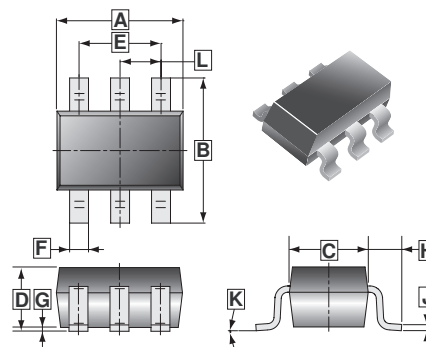
PACKAGE INFORMATION

Package	MPQ	Leader Size
SOT-363	3K	7 inch

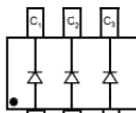
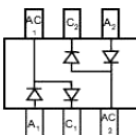
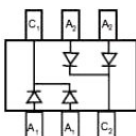
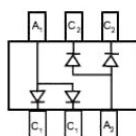
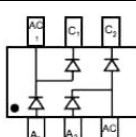
ORDER INFORMATION

Part Number	Type
BAS40 Series	Lead (Pb)-free
BAS40 Series-C	Lead (Pb)-free and Halogen-free

SOT-363

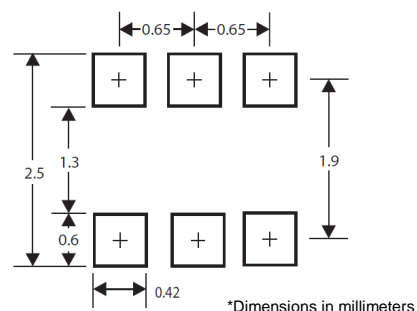


EQUIVALENT CIRCUIT AND MARKING

Part Number	Equivalent Circuit	Marking
BAS40TW		K43
BAS40DW-04		K44
BAS40DW-05		K45
BAS40DW-06		K46
BAS40BRW		K47

REF.	Millimeter		REF.	Millimeter	
	Min.	Max.		Min.	Max.
A	1.80	2.20	G	0.100 REF.	
B	1.80	2.45	H	0.525 REF.	
C	1.15	1.35	J	0.08	0.25
D	0.80	1.10	K	8°	
E	1.10	1.50	L	0.650 TYP.	
F	0.10	0.35			

Mounting Pad Layout



ABSOLUTE MAXIMUM RATINGS (T_A=25°C unless otherwise specified)

Parameter	Symbol	Ratings	Unit
Non-Repetitive Peak Reverse Voltage	V _{RRM}	40	V
DC Blocking Voltage	V _R		
Average Rectified Output Current	I _O	200	mA
Power Dissipation	P _D	200	mW
Thermal Resistance Junction-Ambient	R _{θJA}	500	°C/W
Operating Junction Temperature Range	T _J	-40~125	°C
Storage Temperature Range	T _{STG}	-55~150	

ELECTRICAL CHARACTERISTICS ($T_A=25^\circ\text{C}$ unless otherwise noted)

Parameter	Symbol	Min.	Typ.	Max.	Unit	Test Conditions
Forward Voltage	V_F	-	-	380	mV	$I_F=1\text{mA}$
		-	-	1000		$I_F=40\text{mA}$
Reverse Current	I_R	-	-	200	nA	$V_R=30\text{V}$
Total Capacitance	C_T	-	5	-	pF	$V_R=0\text{V}, f=1\text{MHz}$
Reverse Recovery Time	T_{rr}	-	5	-	nS	$I_F=I_R=10\text{mA}, I_{tr}=0.1 \times I_R, R_L=100\Omega$

RATINGS AND CHARACTERISTIC CURVES

